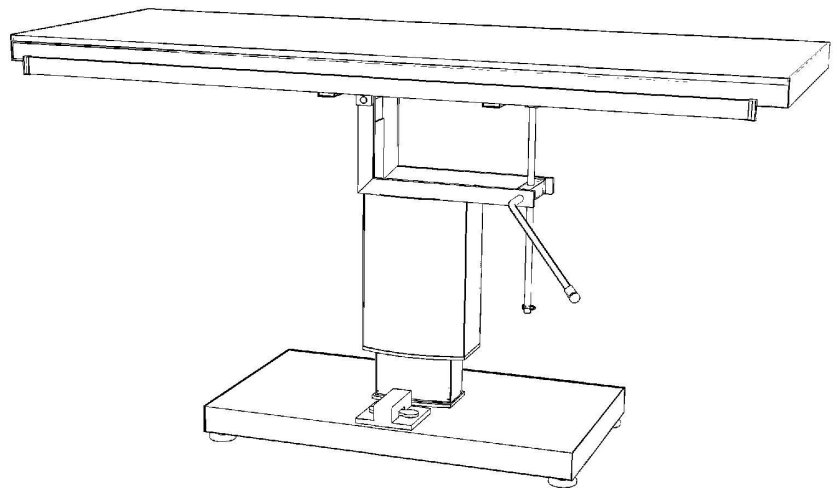


Surgery table with electric central column - N° TA600

The surgery table with electric central column for dogs, cats and small animals is made of stainless steel, ensuring it a long life durability and an absolute hygiene, essential in operating conditions.

The electric central column is fitted with a height adjustment system thanks to a simple foot switch, as well as a manual Tredelenburg adjustments, allowing to have a direct access to the operating field.

Two tie-down bars, on each side, enable to strategically hold the animal during the process, while ensuring its full safety.



Features:

- Electric central column in anodised aluminium
- Foot switch for height adjustment
- Manual Tredelenburg adjustments
- Tilt angle : 60° left / 45° right
- Stainless steel top with height adjustment from 70 to 100 cm
- 304 L stainless steel frame
- Tie-down bar on each side
- Base with pads of stability
- All electrics are certified for EU standards
- 5 years warranty for the frame
- 2 years warranty for electric parts

Dimensions:

- Table top : 140 x 53 cm
 - Minimal height : 70 cm
 - Maximal height : 100 cm
 - Maximum load : 80 KG
- Custom sizes can be made to order*

Options:

- TA 600100 - Surgery table with electric central column (manual Tredelenburg adjustments) stainless steel flat top
- TA 600200 - Surgery table with electric central column (manual Tredelenburg adjustments) 2 drains flat top



ZAC du Pont des Nautes - 03410 SAINT VICTOR

Tél : 04 70 03 31 31 - Fax : 04 70 03 03 07

E-mail : contact@vetinox.fr

www.vetinox.fr



Surgery table with electric central column - N° TA600

Please read carefully the user manual before operating the device

First of all, don't forget to activate your warranty directly on our website www.vetinox.fr - tab Product Warranty.
Then, let yourself be guided to register your device.

• **Set-up - Activation**

- Carefully unpack the device
- Remove the foam wedges
- Connect the table to a power socket protected by a residual-current circuit breaker
- To lift the table, simply press the foot switch with an arrow up
- To lower the table, simply press the foot switch with an arrow down
- To tilt the table in the Tredelenburg desired position, open or close the clamping handle

• **Maintenance - in case of failure**

- A warranty of 5 years is offered to cover mechanical defects or corrosion as well as a warranty of 2 years for electric parts.
- This is a geared motor actuator - power 220 Volts – 400 Watts.
- Current-power = 220-240 volts.

Your table does not rise or lower anymore :

- Check if the power cable is properly connected or if it has not been severed.
- Check your circuit breaker on your power switchboard.
- If in spite of all these checks, your table will not operate, please contact us, we will be pleased to take care of your problem.

• **Contraindications**

- Do not immerse the table or wash it with a high pressure spray – shock hazards
- Do not exceed the maximum authorized weight
- Maximum allowable weight : 80 KG
- Connect the device to a secure electrical network
- Do not change the existing frame or the electrical system and in general do not make any modification
- Install the device in a suitable clean place

• **Cleaning and precautions for use**

The stainless steel used is type 304 L. This stainless steel has a very high resistance to corrosion. As stainless steel is a solid material and not a surface coating, the appearance of stains or traces may not be linked to rust in any case.

You can clean and restore the brushed appearance with a synthetic scouring pad, like green Scotch-Brit, by scrubbing lightly with the grain. Do not use steel wool. Ban all products in cream formulation which might clog or bleach and chlorine - based cleaners. It is better to favor glass products or quaternary ammonium.

If you have any doubt, please send us a photo of the cleaning product composition to confirm use.



ZAC du Pont des Nautes - 03410 SAINT VICTOR

Tél : 04 70 03 31 31 - Fax : 04 70 03 03 07

E-mail : contact@vetinox.fr

www.vetinox.fr

