

Electric surgery table with integrated heating tray - N° TA701 - range 000/001/005

This surgery table allows to operate different kinds of animals. It is made of 304L stainless steel, ensuring it a long life durability, perfect for a sterile environment, because easy to clean and sanitize and corrosion resistant.

Adjusting the animal's position is made easy thanks to the height adjustment with a simple foot control. The easy and smooth Tredelenburg adjustment, also electric thanks to its foot switch, enables a direct access to the surgical field.

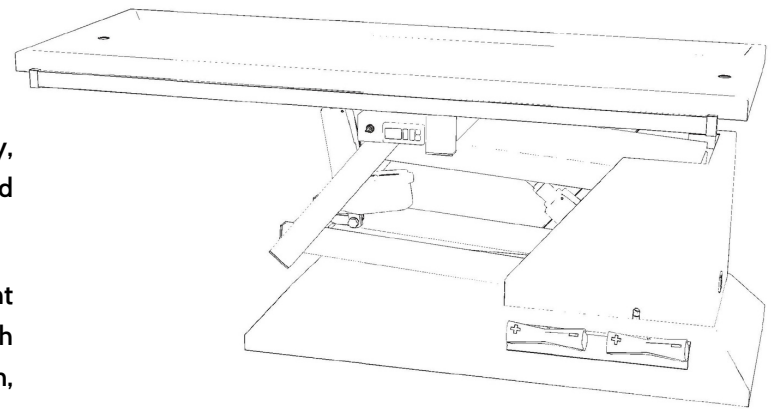
Thanks to the high accuracy in its setting, the fitted heating tray boosts the comfort of the animal by maintaining its body at the ideal temperature throughout the operation.

The two tie-down bars on each side allow both to strategically hold the animal during the process, while ensuring its full safety, as well as to be able to position essential accessories for surgeries.

To ensure an optimal comfort, you can, in addition to the flat heating tray, choose a tray with 1 or 2 holes. (+ option when the order is placed - output socket under the pyramidal base)

References:

- TA 701000 - Electric surgery table - flat heating tray
TA 701001 - Electric surgery table - heating tray with 1 hole
TA 701005 - Electric surgery table - heating tray with 2 holes



Features:

- Electric actuator for smooth and silent up-and-down operations
- Electric foot switch for height adjustment
- Electric Tredelenburg adjustment (2nd sense)
- Tilt angle = 30° forward & 60° backward
- Stainless steel top with height adjustment from 58 to 115 cm
- Tie-down bar on each side + tie-down hooks
- "Z" frame design
- Heating tray with fitted probe
- LCD display for temperature setting
- Maximum operating temperature 35°C
- Entirely in 304 L stainless steel
- All electrics are certified for EU standards
- 5 years warranty for the frame
- 2 years warranty for electric parts

Dimensions:

- Table top: 140 x 53 cm
 - Minimal height: 58 cm
 - Maximal height: 115 cm
 - Maximum load: 100 KG
- Custom sizes can be made to order*



ZAC du Pont des Nautes - 03410 SAINT VICTOR

Tél : 04 70 03 31 31 - Fax : 04 70 03 03 07

E-mail : contact@vetinox.fr

www.vetinox.fr



Electric surgery table with integrated heating tray - N° TA701 - range 000/001/005

Please read carefully the user manual before operating the device

**First of all, don't forget to activate your warranty directly on our website www.vetinox.fr - tab Product Warranty.
Then, let yourself be guided to register your device.**



• **Set-up - Activation**

- Carefully unpack the device
- Remove the foam wedges
- Connect the table to a power socket protected by a residual-current circuit breaker
- **Warning : do not use the Tredelenburg adjustments in the low position**
- To lift the table, simply press the foot switch with an arrow up
- To lower the table, simply press the foot switch with an arrow down
- To tilt the table lengthwise, simply press the relevant foot switch

• **Maintenance - in case of failure**

- A warranty of 5 years is offered to cover mechanical defects or corrosion as well as a warranty of 2 years for electric parts.
- This is a geared motor actuator - power 220 Volts – 400 Watts.
- Current-power = 220-240 volts.

Your table does not rise or lower anymore, or no longer tilts:

- Check if the power cable is properly connected or if it has not been severed
- Check your circuit breaker on your power switchboard
- Check the fuse within the table connexion box
- If in spite of all these checks, your table will not operate, please contact us, we will be pleased to take care of your problem

• **Contraindications**

- Do not immerse the table or wash it with a high pressure spray – shock hazards
- Do not exceed the maximum authorized weight
- Maximum allowable weight: 100 KG
- Connect the device to a secure electrical network
- Do not change the existing frame or the electrical system and in general do not make any modification
- Install the device in a suitable clean place

• **Cleaning and precautions**

The stainless steel used is type 304 L. This stainless steel has a very high resistance to corrosion. As stainless steel is a solid material and not a surface coating, the appearance of stains or traces may not be linked to rust in any case.

You can clean and restore the brushed appearance with a synthetic scouring pad, like green Scotch-Brit, by scrubbing lightly with the grain. Do not use steel wool. Ban all products in cream formulation which might clog or bleach and chlorine - based cleaners. It is better to favor glass products or quaternary ammonium.

If you have any doubt, please send us a photo of the cleaning product composition to confirm use.



ZAC du Pont des Nautes - 03410 SAINT VICTOR

Tél : 04 70 03 31 31 - Fax : 04 70 03 03 07

E-mail : contact@vetinox.fr

www.vetinox.fr



Electric surgery table with integrated heating tray - N° TA701 - range 000/001/005

• Set-up

***Before operating the heating tray, please carefully read this user manual.
There, you will find important information about its set-up, appropriate use and maintenance.***

When using electrical components due to safety requirements more stringent, particular precautions must be observed.

• Contraindications

- Do not expose the electrical components to dust, dirt, water, rain, moisture, high temperatures, or all kind of chemical agent or corrosive substances.
- Do not expose the componets to knocks or vibrations and do not handle them in a different way than the one mentioned into this user manual.
- Never exceed specifications and limitations specified in this manual.

• Initial operation



- Press the button to switch on the heating tray.

- To change the temperature, press the button **SET** for 5 seconds - the acronym SP appears.

- To raise the temperature, press the button



- To lower the temperature, press the button



- Push shortly on  and **SET** at the same time to confirm.

The temperature remains preset even if the tray is switched off.

We recommend using a temperature of around 28° C, it can be programmed from 0 to 35° C maximum.

• Faults - causes & remedies

- Be careful in case of too high temperature or if the temperature rises abnormally, please contact your service partner immediately.



ZAC du Pont des Nautes - 03410 SAINT VICTOR

Tél : 04 70 03 31 31 - Fax : 04 70 03 03 07

E-mail : contact@vetinox.fr

www.vetinox.fr

